

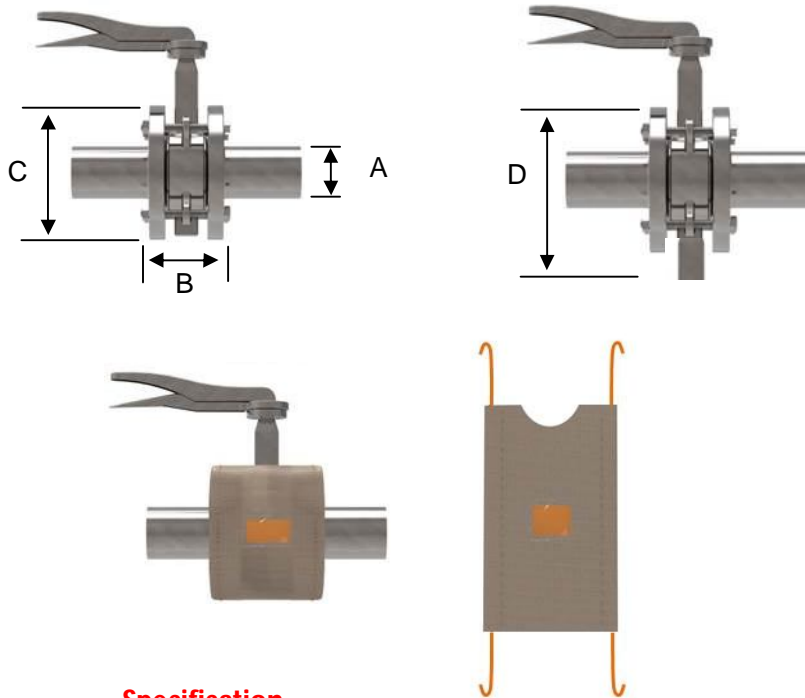
## Data Sheet – PTFE Butterfly Valve Guards

**Ideal for Acid / Caustic / EI15 Oil and Diesel mist prevention**

The PTFE shield is manufactured from 3 layers of Teflon coated fibreglass, with an additional thick Teflon central scrim for added strength. All stitching is 100% Teflon coated fibreglass thread.

The easy to fit, lock tight, fastening system comprises a Velcro strip coupled with a braided 100% Teflon coated fibreglass draw string. When tightened, the fabric is drawn over the flange bolts toward the pipe wall thus eliminating a lateral spray out.

For a detailed quotation please confirm "A" / "B" / "C" ("D") dimension & pressure rating.



### Specification

Material	:	PTFE
Stitching	:	PTFE
Draw strings	:	PTFE
Max. Temperature	:	232 Deg C
Flange Ratings	:	ANSI / DIN / BS
Sizes	:	½" to 48"
Leak Detection	:	Visual Litmus paper
Typical Applications	:	Oil (fuel,lube,seal, etc) Acids, Caustics, Corrosives

### Flangeguards Ltd

Unit 5, Cranes Close,  
Basildon,  
Essex, SS14 3JB  
01268 244369  
sales@flangeguards.com

### Delivery

Most shield materials and sizes are available ex-stock; however, in case of low availability delivery may take 2 - 3 working weeks.

Call 01268 244369 to confirm current stock levels – or e-mail [sales@flangeguards.com](mailto:sales@flangeguards.com)